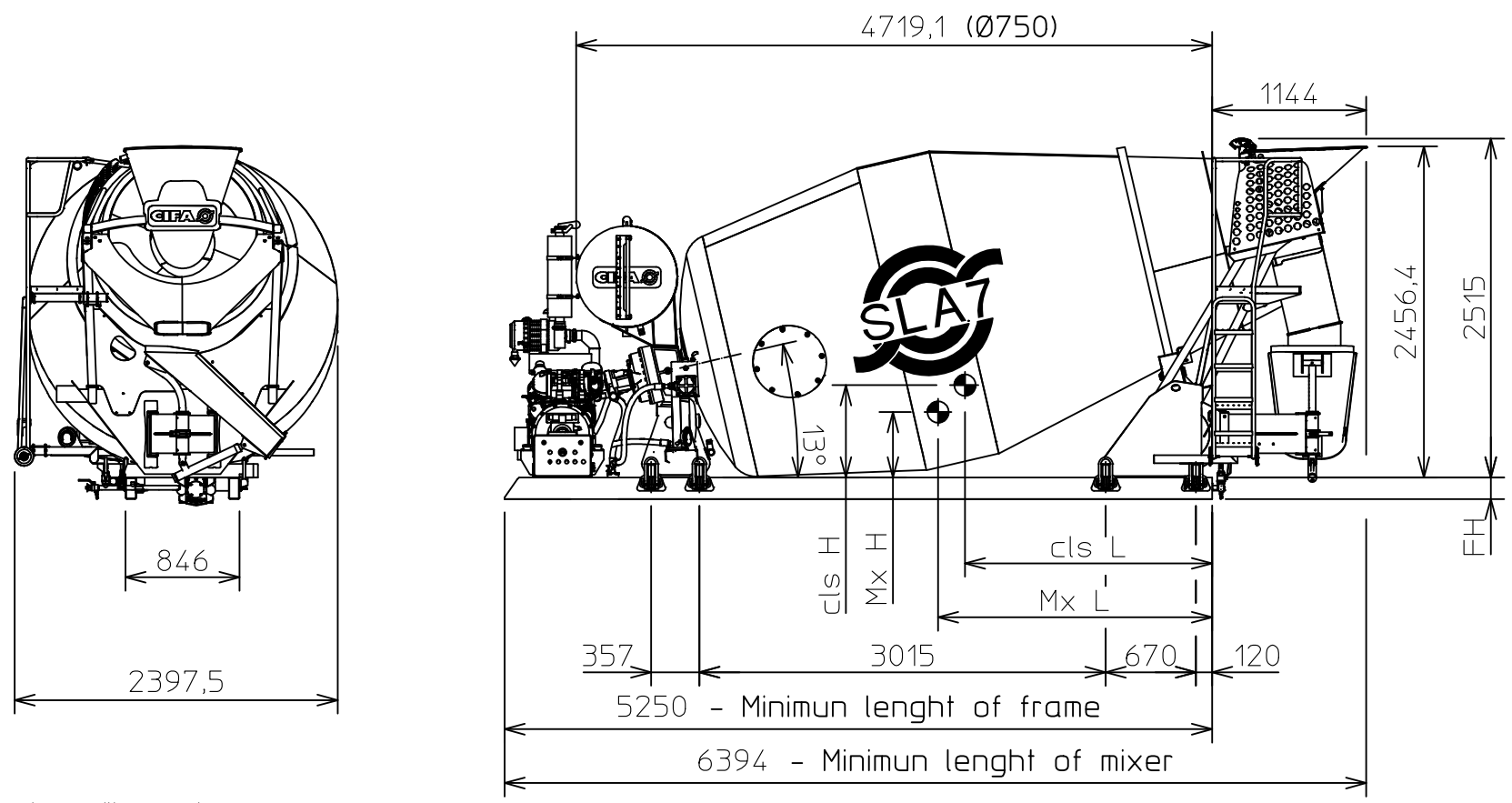




CIFA S.p.A. - Senago

TECHNICAL PARAMETERS
TRANSIT MIXER MODEL
SLA7-Ø2300

Disegno N°: SLA7 PCP
Data: 13/11/15
Rev. 00



Transit mixer driven by auxiliary engine

Water volume	12200	lt.
Nominal capacity	7	m ³
Water line	7.8	m ³
Filling ratio	57	%
Drum speed	0/14	rpm
Drum diameter	2300	mm

Weight of mixer kit refers to CSD version with 300L pressurized water tank
Weight is inclusive of anchorages and paint.
Weight does not include mudguards, cyclist bars, rear bar or spare wheel.
Weights may vary ±5% according to DIN 70200
Density of concrete is considered 2300 Kg/m

Frame height FH = 160 mm

Description	Weight	L (mm)	H (mm)
Mixer tar (Mx)	3542	2250	1090
Concrete (cls)	=V*cd	=m*V+b	=n*V+c

V = volume of concrete [m³]
cd = concrete density [kg/m³]
m = -68.54
b = 2606.4
n = 89.01
c = 416

Disegno e informazioni di proprietà della CIFA - Diffusione e riproduzione vietata a termini di legge.