

# RAMCRETE

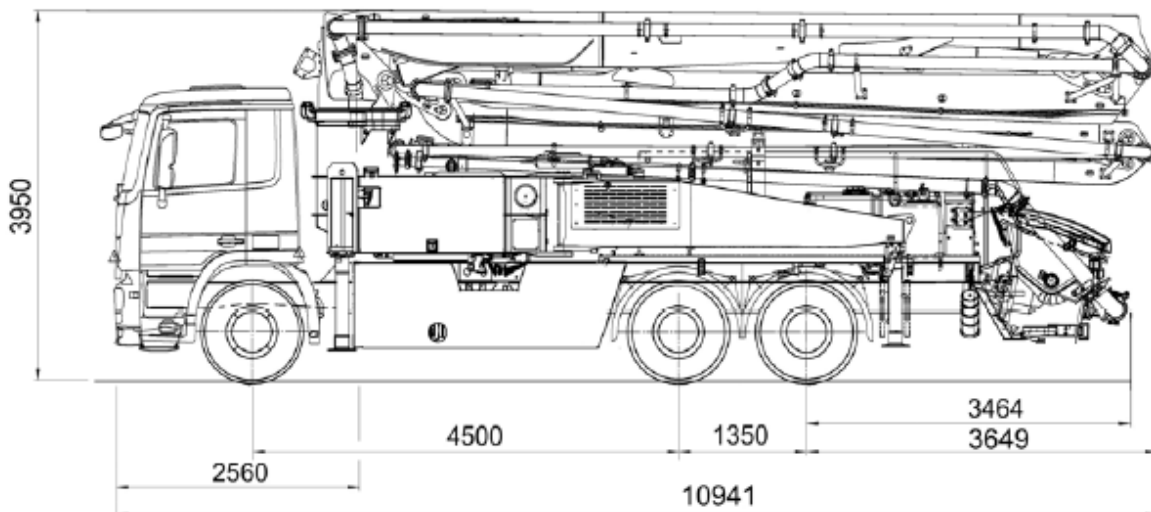
MOBILE BOOM CONCRETE PUMPS

[www.ramcrete.co.uk](http://www.ramcrete.co.uk)

01628 782 860



Putzmeister M36 4 section Z fold for illustration purposes only



Note: Standard version. Dimensions and weights depend on truck, pump model and equipment.  
Dimensions in mm, MB-Actros 2632 Euro 5 as example.  
For illustration only.

Ramcrete pumping services Ltd, Potters yard, Drift rd. Maidenhead SL6 3ST Email:  
[admin@ramcrete.co.uk](mailto:admin@ramcrete.co.uk)

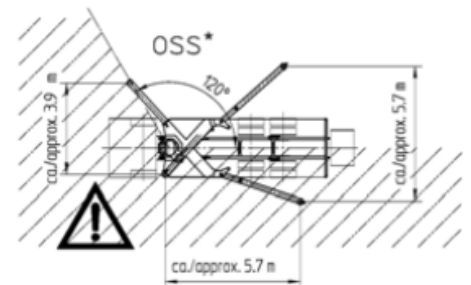
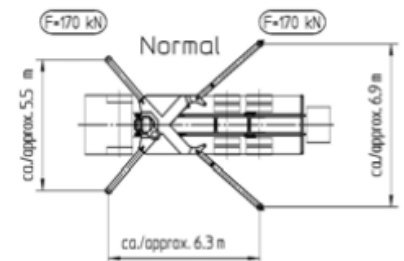
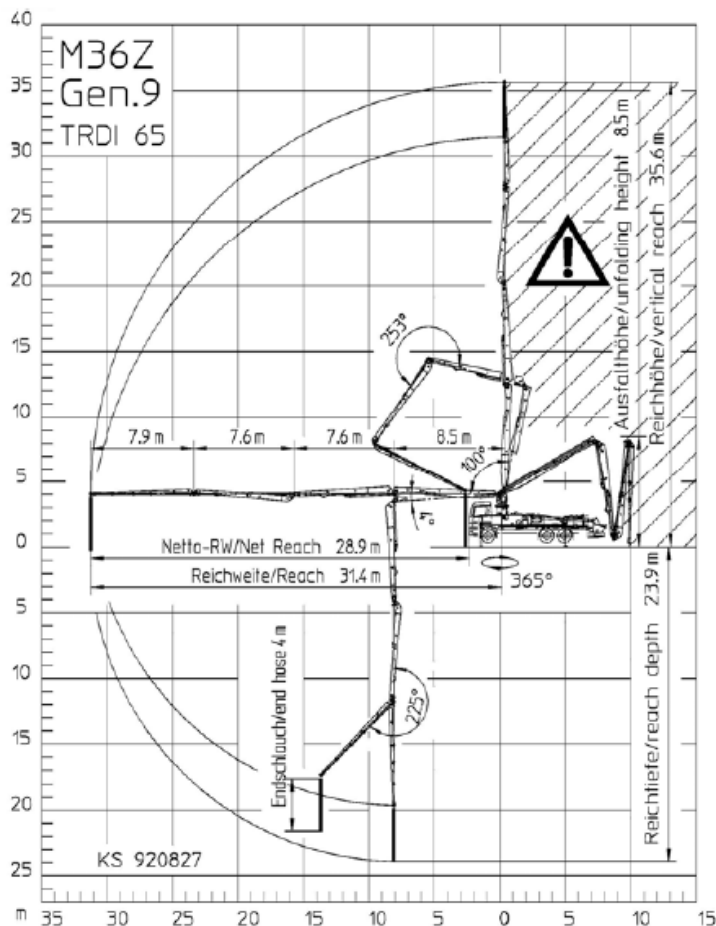
## Technical data

Boom M 36-4 Gen. 9			
Sections			4
Reach height	m		35.6
Horizontal reach	gross	m	31.4
	net	m	28.9
Reach depth max.	m		23.9
Unfolding height	m		8.5
End hose length	m		4
Folding system			Z
Delivery line			DN 125

Pump		BSF	.16 H	.16H LS
Rod side	Output	m <sup>3</sup> /h	160	-
	Delivery pressure	bar	85	-
	Strokes	1/min.	31	-
Piston side	Output	m <sup>3</sup> /h	-	160
	Delivery pressure	bar	-	85
	Strokes	1/min.	-	26
	Delivery cylinder	Ø mm	230	250
	Stroke	mm	2100	2100

\*) Delivery line boom max. 85 bar.  
All data maximum theoretical.

## Reach information diagram, Support



OSS not included in series range.  
Dimensions can differ depending on configuration.



Range in which you must not work  
with the end hose.