

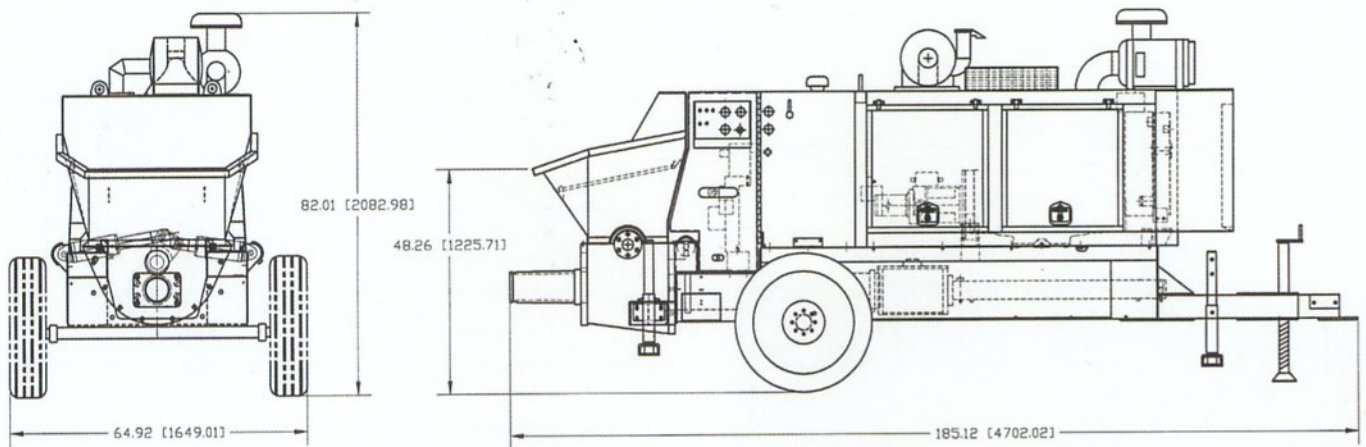


SCHWING
AMERICA INC.

LINE PUMPS

Concrete Pumps - WP Series

- WP 750-18X (UK Spec)
- CE Specification
- Sound Reduction Enclosure



WP 750-18X

- output to 54 m³/hr.
- pressure to 76 bar
- up to 75 kW

The WP 750 is a hydraulically driven, twin-cylinder piston pump equipped with the field-proven Rock Valve™, and is designed to pump concrete with 38 mm maximum aggregate size as well as wet screeds, mortar, foamed concrete, sludge, etc. The base frame has a single axle for 6 km/hr site towing.

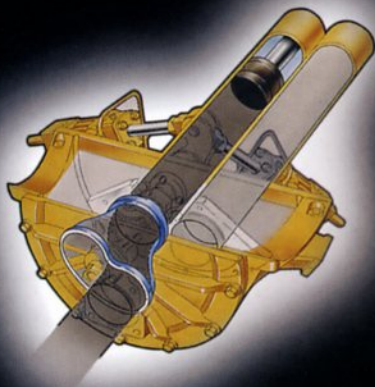
Technical Data

WP 750-18X

Theoretical Concrete Output (m ³ /hr)	54
Max. Pressure on Concrete (bar)	76
Max. Horizontal Pumping Distance* (m)	354
Max. Vertical Pumping Distance* (m)	100
Max. Pump Strokes Per Minute	35
Pumping Cylinder Dia. (mm)	180
Differential Cylinder Dia. (mm)	90
Stroke Length (mm)	1000
Max. Aggregate Size (mm)	38
Outlet Dia. (mm)	125
Feeding Hopper Capacity (l)	250
Height of Hopper (mm)	1225
Remote Control	On/Off
Motor/Engine Rating (kW)	75
Fuel Tank Capacity (l)	113
Height (mm)	2082
Length (mm)	4702
Width (mm)	1649
Gross weight (kg)	3265

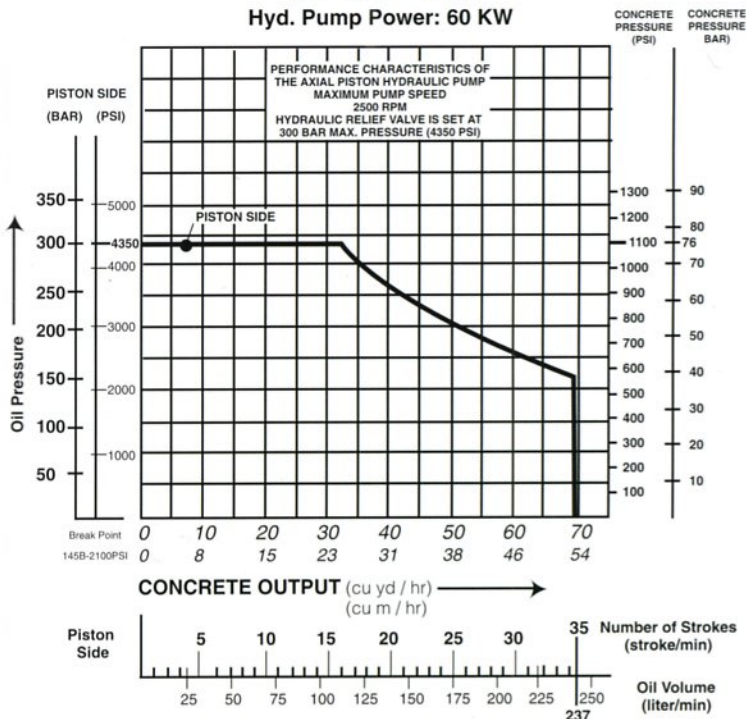
*Pumping distances shown are to be used only as a guide. Maximum aggregate size and minimum slump are all dependent on mix design and pipeline diameter. Maximum output and distances cannot be reached simultaneously. Specifications subject to change without prior notice.

The heart of the concrete pump is the Rock Valve™, patented in almost all industrialized countries and offering exemplary pumping characteristics, wearing properties and operational reliability.



WP 750 - 18X

Hyd. Pump Power: 60 KW

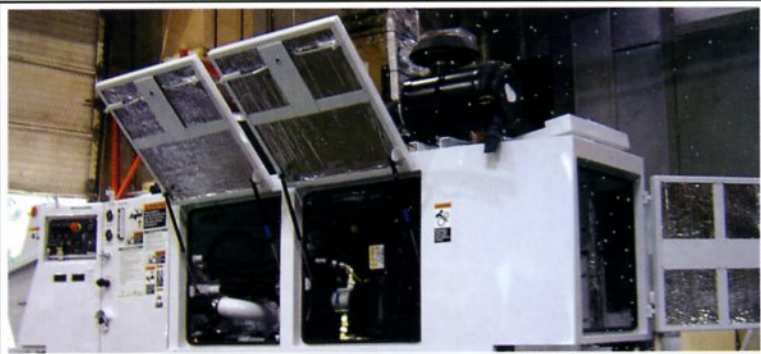


Differential Hydraulic Cylinder Bore dia. / Rod dia. x stroke length	Material Cylinders Bore dia. x stroke length	Hydraulic Pumps Type / KW
90 mm / 50 mm x 1000 mm	180 mm x 1000 mm	A11VO - 95/60 KW

Prime Mover - Deutz BF4M2012 75KW 100HP @ 2500 RPM

Slewing cylinders 76 / 63.5 x 150
THE PERFORMANCE CURVE INDICATES THAT THERE IS NO ALLOWANCE FOR FILLING EFFICIENCY OF THE CONCRETE CYLINDER

Sound reduction enclosure reduces noise levels.



SCHWING
AMERICA INC.
LINE PUMPS

1300 Gresham Road
Marietta, GA 30062
1-800-237-8960
PHONE 678-560-9801
FAX 678-560-1269
www.schwing.com

Represented by



BURLINGTON ENGINEERS LIMITED
UNIT 11 PERIVALE INDUSTRIAL PARK
HORSENDEN LANE SOUTH,
GREENFORD, MIDDX. UB6 7RL
TELEPHONE: 020 8997 1515
FAX: 020 8998 3517
E-mail: info@burlington-engineers.co.uk